

TRIVANT

TRUVATIV

POWERED BY **SRAM**

(english) spare parts catalog

SRAM® ORIGINAL PARTS

CAUTION:

The SRAM Warranty policy does not cover damages caused by the use of non-SRAM parts.

Use only SRAM parts with SRAM components.

Installation of parts and accessories not originally intended could result in less than optimal performance and/or injury.

For in-depth service information on SRAM products, refer to our website at www.sram.com. Contact your local SRAM distributor or dealer for ordering information.

Information contained in this publication is subject to change at any time without prior notice. Your product's appearance may vary from the diagrams contained in this catalog.

TABLE OF CONTENTS

CRANKS / CHAIN RINGS / GUARDS / BOLTS - MTB 3-PIECE	6
E4XX	
5D	
Blaze™	
S600 / S650	
CRANKS / CHAIN RINGS / GUARDS / BOLTS - MTB GXP	7-8
Firex®	
Stylo®	
Noir®	
AKA	
GRAVITY - HOWITZER	9-10
Ruktion®	
S800	
Hussefelt®	
Holzfeller®	
TRANSMISSION - HAMMERSCHMIDT - ALL MOUNTAIN & FREERIDE	11-12
All Mountain	
Freeride	
CRANKS / CHAIN RINGS / GUARDS / BOLTS - ROAD	13-14
Elita®	
Rouleur™	
Omnium®	
BMX	15
Jr	
XR	
Team	
Luftalarm®	
BOX GUIDE / CHAIN TENSIONER / STEM / POST / PEDAL / TOOLS	16-18
Box Guide	
Chain Tensioner	
Stem	
Seatpost	
Pedals	
Tools	
ROAD CHAINRING COMBINATIONS	19
NOTES	20



Part Number	Description
LEFT CRANK ARMS	
11.6115.534.000	L Arm E4XX Isoflow 165 PS Blast Black
11.6115.534.010	L Arm E4XX Isoflow 170 PS Blast Black
11.6115.534.020	L Arm E4XX Isoflow 175 PS Blast Black
11.6115.056.000	Left Arm 5D PS 170 Pitch Black
11.6115.058.000	Left Arm 5D PS 175 Pitch Black
11.6115.052.000	Left Arm 5D SQ 170 Pitch Black
11.6115.054.000	Left Arm 5D SQ 175 Pitch Black
11.6115.045.000	Left Arm 5D Tandem Front PS 175 Pitch Black
11.6115.041.000	Left Arm 5D Tandem Front SQ 175 Pitch Black
11.6115.044.000	Left Arm 5D Tandem Rear PS 170 Pitch Black
11.6115.178.000	Left Arm Blaze PowerSpline 170 Pitch Black
11.6115.179.000	Left Arm Blaze PowerSpline 175 Pitch Black
11.6100.023.070	Left Arm Blaze ISIS 175 Pitch Black
11.6115.062.000	Left Arm Blaze Howitzer 170 Pitch Black
11.6115.063.000	Left Arm Blaze Howitzer 175 Pitch Black
11.6115.539.000	Left Arm S600 / S650 Power Spline 175 Pitch Black
11.6115.539.010	Left Arm S600 / S650 Square Taper 175 Pitch Black
CHAINRINGS	
11.6215.064.000	Chain Ring MTB 22T V3 64 Steel Matte Black
11.6215.066.000	Chain Ring MTB 24T V1 64 Steel Matte Black
11.6215.024.000	Chain Ring MTB 26T V1 64 Steel Tech Silver
11.6215.025.000	Chain Ring MTB 28T V1 64 Steel Tech Silver
11.6215.063.000	Chain Ring MTB 32T V7 104 Steel MatteBlack
11.6215.065.000	Chain Ring MTB 36T V2 104 Steel Matte Black
11.6215.023.000	Chain Ring MTB 38T V4 104 Steel Tech Silver
11.6215.016.000	Chain Ring MTB 42T V3 104 Steel Matte Black
11.6215.135.000	Chain Ring MTB 42T V4 104 Alum 3mm Blast Black
11.6215.186.000	Chain Ring MTB 44T V4 104 Alum 3mm Blast Black CNC
11.6215.015.000	Chain Ring MTB 44T V4 104 Steel Matte Black
11.6215.018.000	Chain Ring MTB 48T A V2 104 Steel Matte Black (48-38-28)
11.6215.090.000	Chain Ring MTB 48T B V2 104 Alum 4mm Blast Black (48-36-26)
11.6215.017.000	Chain Ring MTB 48T B V3 104 Steel Matte Black (48-36-26)
11.6215.186.010	Chain Ring MTB CAS 44T V4 104 Alum 3mm Blast Black
11.6215.186.030	Chain Ring MTB CAS 44T V4 104 Steel Matte Black
11.6215.187.010	Chain Ring MTB CAS 48T A V2 104 Steel Tech Silver (48-38-28)
11.6215.187.000	Chain Ring MTB CAS 48T B V2 104 Alum 4mm Blast Black (48-36-26)
11.6215.112.000	Chain Ring SS 32T 104 Steel Tech Silver
11.6215.077.000	Chain Ring SS/DH 32T 104 Alum 3mm Blast Black
11.6215.118.000	Chain Ring SS 33T 104 Alum 3mm Blast Black
11.6215.061.000	Chain Ring SS 33T 104 Steel Tech Silver
11.6215.113.000	Chain Ring SS 38T 104 Alum 3mm Blast Black
11.6215.133.000	Chain Ring SS 38T 104 Steel MattBlack
11.6215.114.000	Chain Ring SS 42T 104 Alum 3mm Blast Black
11.6215.021.000	Chain Ring SS 42T 104 Steel Tech Silver
CHAINRING BOLT KITS	
11.6915.017.000	Chain Ring Bolt Kit 4-arm Double w RG Long Steel/Steel Black
11.6915.005.000	Chain Ring Bolt Kit 4-arm Single w Aluminum Guard Steel Black
11.6915.006.000	Chain Ring Bolt Kit 4-arm Single No Guard Steel Black
11.6915.016.000	Chain Ring Bolt Kit 4-arm Triple Steel/Steel Black
CRANK ARM BOLTS	
11.6900.002.070	Crank Arm Bolts M15/M22 Alloy Self-Extracting, Qty 2
11.6900.002.050	Crank Arm Bolts M15 Capless Qty 2 for ISIS & Hwtzr M15
11.6115.115.000	Crank Arm Bolts M8 Capless Qty 2 for Square-taper & PowerSpline
PEDAL WASHERS	
11.6700.002.010	Pedal Washers Chromo, Qty 2



Part Number	Description
LEFT CRANK ARMS	
11.6115.290.000	Left Arm Firex GXP 170 Blast Black
11.6115.289.000	Left Arm Firex GXP 170 Mirror Black
11.6115.287.000	Left Arm Firex GXP 175 Blast Black
11.6115.286.000	Left Arm Firex GXP 175 Mirror Black
11.6115.492.000	08 L Arm Stylo GXP 170 Mirror Black
11.6115.492.030	08 L Arm Stylo GXP 170 Silver Polish
11.6115.492.010	08 L Arm Stylo GXP 175 Mirror Black
11.6115.492.040	08 L Arm Stylo GXP 175 Silver Polish
11.6115.492.020	08 L Arm Stylo GXP 180 Mirror Black
11.6115.492.050	08 L Arm Stylo GXP 180 Silver Polish
11.6115.492.060	Left Arm Stylo Oct GXP 170 Mirror Black
11.6115.492.070	Left Arm Stylo Oct GXP 170 SprAlum
11.6115.492.080	Left Arm Stylo Oct GXP 175 Mirror Black
11.6115.492.090	Left Arm Stylo Oct GXP 175 SprAlum
11.6115.492.100	Left Arm Stylo Oct GXP 180 Mirror Black
11.6115.413.000	Left Arm Noir XC GXP 170 Carbon
11.6115.414.000	Left Arm Noir XC GXP 175 Carbon
11.6115.529.020	Left Arm Noir XC GXP 170 Gold
11.6115.529.080	Left Arm Noir XC GXP 170 Green
11.6115.529.060	Left Arm Noir XC GXP 170 Orange
11.6115.529.040	Left Arm Noir XC GXP 170 Pink
11.6115.529.000	Left Arm Noir XC GXP 170 Red
11.6115.529.030	Left Arm Noir XC GXP 175 Gold
11.6115.529.090	Left Arm Noir XC GXP 175 Green
11.6115.529.070	Left Arm Noir XC GXP 175 Orange
11.6115.529.050	Left Arm Noir XC GXP 175 Pink
11.6115.529.010	Left Arm Noir XC GXP 175 Red
11.6115.536.000	Left Arm AKA GXP 170 Brushed Black
11.6115.536.010	Left Arm AKA GXP 175 Brushed Black
CHAINRINGS	
11.6215.089.000	Chain Ring MTB 22T V3 64 Alum Hard Black
11.6215.064.000	Chain Ring MTB 22T V3 64 Steel Matte Black
11.6215.128.000	Chain Ring MTB 22T V3 64 Alum Tungsten Grey
11.6215.084.000	Chain Ring MTB 22T V3 64 Alum Blast Black
11.6215.188.110	Chain Ring MTB 22T V3 64 Alum3 Orange
11.6215.188.100	Chain Ring MTB 22T V3 64 Alum3 Red
11.6215.093.000	Chain Ring MTB 24T B V1 64 Alum 3mm Blast Black 9 & 10 speed
11.6215.066.000	Chain Ring MTB 24T V1 64 Steel Matte Black
11.6215.092.000	Chain Ring MTB 26T V1 64 Alum 3mm Blast Black
11.6215.024.000	Chain Ring MTB 26T V1 64 Steel Tech Silver
11.6215.088.000	Chain Ring MTB 32T V7 104 Alum Hard Black
11.6215.129.000	Chain Ring MTB 32T V7 104 Alum Tungsten Grey
11.6215.063.000	Chain Ring MTB 32T V7 104 Steel MatteBlack
11.6215.086.000	Chain Ring MTB 32T V7 104 Alumum 3mm Blast Black
11.6215.091.000	Chain Ring MTB 36T 104 Alum 3mm Blast Black
11.6215.132.000	Chain Ring MTB 36T 104 Alum 3mm Tungsten Grey
11.6215.065.000	Chain Ring MTB 36T V2 104 Steel Matte Black
11.6215.186.000	Chain Ring MTB 44T V4 104 Alum 3mm Blast Black CNC
11.6215.188.060	Chain Ring MTB 44T V4G2 104 Alum4 3mm TPR Gold
11.6215.188.090	Chain Ring MTB 44T V4G2 104 Alum4 3mm TPR Green
11.6215.188.080	Chain Ring MTB 44T V4G2 104 Alum4 3mm TPR Orang
11.6215.188.070	Chain Ring MTB 44T V4G2 104 Alum4 3mm TPR Pink
11.6215.188.050	Chain Ring MTB 44T V4G2 104 Alum4 3mm TPR Red
11.6215.188.040	Chain Ring MTB 44T V4G2 104 Alum4 3mm TPR TGGrey
11.6215.087.000	Chain Ring MTB 44T V4 104 Alum 4mm Hard Black
11.6215.188.020	Chain Ring MTB 44T V4 104 Alum 4mm Tungsten Grey 4mm Stylo interface
11.6215.015.000	Chain Ring MTB 44T V4 104 Steel Matte Black
11.6215.090.000	Chain Ring MTB 48T B V2 104 Alum 4mm Blast Black (48-36-26)
11.6215.139.000	Chain Ring MTB 48T B V2 104 Alum 4mm Tungsten Grey (48-36-26)
11.6215.186.010	Chain Ring MTB CAS 44T V4 104 Alum 3mm Blast Black
11.6215.186.020	Chain Ring MTB CAS 44T V4 Alum 4mm Matte Black
11.6215.187.000	Chain Ring MTB CAS 48T B V2 104 Alum 4mm Blast Black (48-36-26)
11.6215.077.000	Chain Ring SS/DH 32T 104 Alum 3mm Blast Black
11.6215.118.000	Chain Ring SS 33T 104 Alum 3mm Blast Black
11.6215.113.000	Chain Ring SS 38T 104 Alum 3mm Blast Black
11.6215.114.000	Chain Ring SS 42T 104 Alum 3mm Blast Black



Part Number	Description
CHAINRING GUARDS	
11.6315.007.000	Aero Guard 42-44T Black
11.6315.003.000	Aero Guard 48T 45Degree Black
11.6315.017.000	Chainring Guard Trials 22T 104BCD 6.25mm AL Blast Black
11.6200.022.010	Chainring Guard Luftalarm 30/33/36/39T Blast Black
11.6200.022.020	Chainring Guard Luftalarm 25T Blast Black
11.6315.015.000	Chainring Guard BashGuard 34-36T 104BCD 12mm Polycarb Smoke
11.6315.016.000	Chainring Guard BashGuard 38-40T 104BCD 12mm Polycarb Smoke
11.6315.027.000	Chainring Guard All Mountain Stylo 32/33T 104BCD 4mm AL Mirror Black
11.6315.027.010	Chainring Guard All Mountain Stylo 36/38T 104BCD 4mm AL Mirror Black
11.6315.027.020	Chainring Guard All Mountain Stylo 42T 104BCD 4mm AL Mirror Black
11.6315.027.030	Chainring Guard All Mountain Noir 32/33T 104BCD 4mm Carbon Fiber
11.6315.029.000	Chainring Guard RockGuard 32T 104BCD 10mm Polycarb Black w Stripe
11.6315.029.010	Chainring Guard RockGuard 36T 104BCD 10mm Polycarb Black w Stripe
11.6315.029.020	Chainring Guard RockGuard 32T 104BCD 10mm Polycarb White w Stripe
11.6315.029.030	Chainring Guard RockGuard 36T 104BCD 10mm Polycarb White w Stripe
11.6315.029.040	Chainring Guard RockGuard 32T 104BCD 10mm Polycarb White w Delft
11.6315.029.050	Chainring Guard RockGuard 36T 104BCD 10mm Polycarb White w Delft
CHAINRING BOLT KITS	
11.6915.017.000	Chain Ring Bolt Kit 4-arm Double w RG Long Steel/Steel Black
11.6915.005.000	Chain Ring Bolt Kit 4-arm Single w Aluminum Guard Steel Black
11.6915.006.000	Chain Ring Bolt Kit 4-arm Single No Guard Steel Black
11.6915.004.000	Chain Ring Bolt Kit 4-arm Triple Aluminum/Stainless Black
11.6915.016.000	Chain Ring Bolt Kit 4-arm Triple Steel/Steel Black
11.6215.193.050	Chain Ring Bolt Kit 4X1 W Guard Alum Black
11.6215.193.010	Chain Ring Bolt Kit 4X3 Alumum/SS Gold
11.6215.193.040	Chain Ring Bolt Kit 4X3 Alumum/SS Green
11.6215.193.030	Chain Ring Bolt Kit 4X3 Alumum/SS Orange
11.6215.193.020	Chain Ring Bolt Kit 4X3 Alumum/SS Pink
11.6215.193.000	Chain Ring Bolt Kit 4X3 Alumum/SS Red
CRANK ARM BOLTS	
11.6915.027.000	Crank Arm Bolt M15/M22 Alloy Self-Extracting GXP Qty 1
11.6900.002.140	Crank Arm Bolt M15/M26 Alloy Self-Extracting GXP Silver Qty 1
11.6900.002.160	Crank Arm Bolt M15/M26 Alloy Self-Extracting GXP Black Qty 1
11.6115.530.010	Crank Arm Bolt Self-Extr M15/M26 GXP Glod
11.6115.530.040	Crank Arm Bolt Self-Extr M15/M26 GXP Green
11.6115.530.030	Crank Arm Bolt Self-Extr M15/M26 GXP Orange
11.6115.530.020	Crank Arm Bolt Self-Extr M15/M26 GXP Pink
11.6115.530.000	Crank Arm Bolt Self-Extr M15/M26 GXP Red
11.6115.530.060	Crank Arm Bolt M18/M30 Alloy Self-Extracting BB30 Right (S-series & MTB) Qty 1
PEDAL WASHERS	
11.6700.002.010	Pedal Washers Chromo, Qty 2



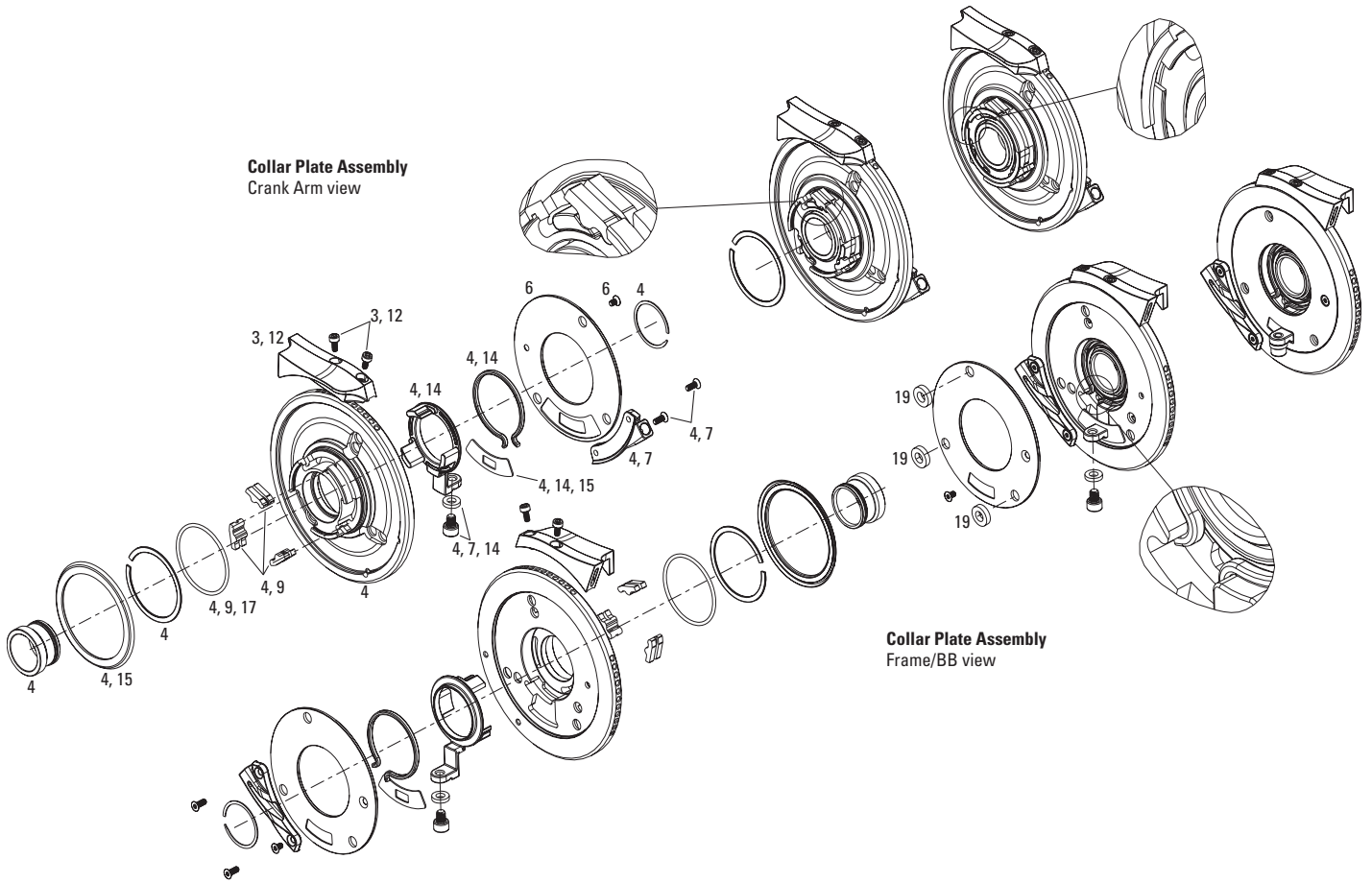
Part Number	Description
CRANK ARMS	
11.6115.181.000	Left Arm Ruktion HW 170 Pitch Black
11.6115.182.000	Left Arm Ruktion HW 175 Pitch Black
11.6115.189.000	R/L Arm Ruktion 1/G HW 170 Pitch Black
11.6115.190.000	R/L Arm Ruktion 1/G HW 175 Pitch Black
11.6115.185.000	R/L Arm Ruktion 2/3 HW 170 Pitch Black
11.6115.186.000	R/L Arm Ruktion 2/3 HW 175 Pitch Black
11.6115.540.000	Left Arm S800 Howitzer 175 Pitch Black
11.6115.193.000	Left Arm Hussefelt HW 165 Blast Black
11.6115.194.000	Left Arm Hussefelt HW 170 Blast Black
11.6115.195.000	Left Arm Hussefelt HW 175 Blast Black
11.6115.203.000	R/L Arm Hussefelt 1 HW 165 Blast Black
11.6115.204.000	R/L Arm Hussefelt 1 HW 170 Blast Black
11.6115.205.000	R/L Arm Hussefelt 1 HW 175 Blast Black
11.6115.209.000	Left Arm Holzfeller HW 170 Mirror Black
11.6115.210.000	Left Arm Holzfeller HW 175 Mirror Black
11.6115.484.020	Left Arm Holzfeller OCT HW 165 Blast Black
11.6115.484.000	Left Arm Holzfeller OCT HW 170 Blast Black
11.6115.484.010	Left Arm Holzfeller OCT HW 175 Blast Black
11.6115.485.000	R/L Arm Holz OCT Double HW 170 Blast Black
11.6115.485.010	R/L Arm Holz OCT Double HW 175 Blast Black
11.6115.485.040	R/L Arm Holz OCT SS, 1/G HW 165 Blast Black
11.6115.485.020	R/L Arm Holz OCT SS, 1/G HW 170 Blast Black
11.6115.485.030	R/L Arm Holz OCT SS, 1/G HW 175 Blast Black
CHAINRINGS	
11.6215.064.000	Chain Ring MTB 22T V3 64 Steel Matte Black
11.6215.089.000	Chain Ring MTB 22T V3 64 Alum Hard Black
11.6215.093.000	Chain Ring MTB 24T B V1 64 Alum 3mm Blast Black 9 & 10 speed
11.6215.066.000	Chain Ring MTB 24T V1 64 Steel Matte Black
11.6215.088.000	Chain Ring MTB 32T V7 104 Alum Hard Black
11.6215.129.000	Chain Ring MTB 32T V7 104 Alum Tungsten Grey
11.6215.063.000	Chain Ring MTB 32T V7 104 Steel MatteBlack
11.6215.091.000	Chain Ring MTB 36T 104 Alum 3mm Blast Black
11.6215.132.000	Chain Ring MTB 36T 104 Alum 3mm Tungsten Grey
11.6215.065.000	Chain Ring MTB 36T V2 104 Steel Matte Black
11.6215.186.000	Chain Ring MTB 44T V4 104 Alum 3mm Blast Black CNC
11.6215.087.000	Chain Ring MTB 44T V4 104 Alum 4mm Hard Black
11.6215.015.000	Chain Ring MTB 44T V4 104 Steel Matte Black
11.6215.112.000	Chain Ring SS 32T 104 Steel Tech Silver
11.6215.097.000	Chain Ring SS 34T 104 Steel Matte Black
11.6215.098.000	Chain Ring SS 36T 104 Steel Matte Black
11.6215.133.000	Chain Ring SS 38T 104 Steel MattBlack
11.6215.021.000	Chain Ring SS 42T 104 Steel Tech Silver
11.6215.077.000	Chain Ring SS/DH 32T 104 Alum 3mm Blast Black
11.6215.076.000	Chain Ring SS/DH 34T 104 Alum 4mm Blast Black
11.6215.075.000	Chain Ring SS/DH 36T 104 Alum 4mm Blast Black
11.6215.074.000	Chain Ring SS/DH 38T 104 Alum 4mm Blast Black
11.6215.073.000	Chain Ring SS/DH 40T 104 Alum 4mm Blast Black
11.6215.072.000	Chain Ring SS/DH 42T 104 Alum 4mm Blast Black



Part Number	Description
CHAINRING GUARDS	
11.6315.017.000	Chainring Guard Trials 22T 104BCD 6.25mm AL Blast Black
11.6200.022.010	Chainring Guard Luftalarm 30/33/36/39T Blast Black
11.6200.022.020	Chainring Guard Luftalarm 25T Blast Black
11.6315.015.000	Chainring Guard BashGuard 34-36T 104BCD 12mm Polycarb Smoke
11.6315.016.000	Chainring Guard BashGuard 38-40T 104BCD 12mm Polycarb Smoke
11.6315.027.000	Chainring Guard All Mountain Stylo 32/33T 104BCD 4mm AL Mirror Black
11.6315.027.010	Chainring Guard All Mountain Stylo 36/38T 104BCD 4mm AL Mirror Black
11.6315.027.020	Chainring Guard All Mountain Stylo 42T 104BCD 4mm AL Mirror Black
11.6315.027.030	Chainring Guard All Mountain Noir 32/33T 104BCD 4mm Carbon Fiber
11.6315.029.000	Chainring Guard RockGuard 32T 104BCD 10mm Polycarb Black w Stripe
11.6315.029.010	Chainring Guard RockGuard 36T 104BCD 10mm Polycarb Black w Stripe
11.6315.029.020	Chainring Guard RockGuard 32T 104BCD 10mm Polycarb White w Stripe
11.6315.029.030	Chainring Guard RockGuard 36T 104BCD 10mm Polycarb White w Stripe
11.6315.029.040	Chainring Guard RockGuard 32T 104BCD 10mm Polycarb White w Delft
11.6315.029.050	Chainring Guard RockGuard 36T 104BCD 10mm Polycarb White w Delft
CHAINRING BOLT KITS	
11.6915.017.000	Chain Ring Bolt Kit 4-arm Double w RG Long Steel/Steel Black
11.6915.005.000	Chain Ring Bolt Kit 4-arm Single w Aluminum Guard Steel Black
11.6915.006.000	Chain Ring Bolt Kit 4-arm Single No Guard Steel Black
11.6915.007.000	Chain Ring Bolt Kit 4-arm Single w BG Long Steel Black
11.6915.016.000	Chain Ring Bolt Kit 4-arm Triple Steel/Steel Black
CRANK ARM BOLTS	
11.6900.002.020	Crank Arm Bolts M12 Capless Qty 2 for Howitzer
11.6900.002.040	Crank Arm Bolts M12/M22 CrMo Self-Extracting Qty 2 for Howitzer
11.6900.002.050	Crank Arm Bolts M15 Capless Qty 2 for ISIS & Hwtzr M15
PEDAL WASHERS	
11.6700.002.010	Pedal Washers Chromo, Qty 2

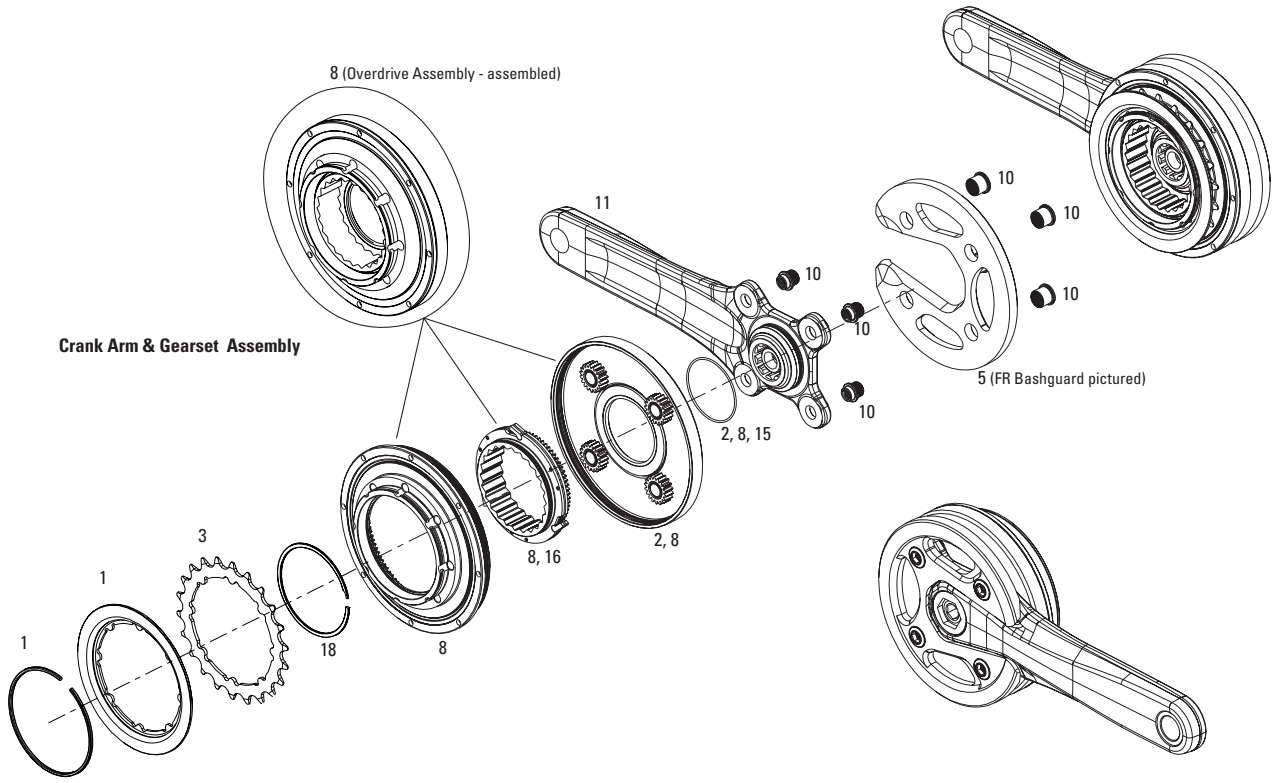
TRANSMISSION - HAMMERSCHMIDT - ALL MOUNTAIN & FREERIDE

Collar Plate Assembly
Crank Arm view

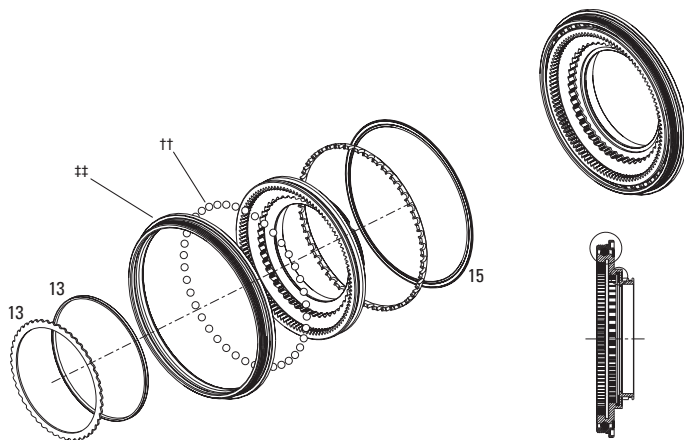


Collar Plate Assembly
Frame/BB view

Crank Arm & Gearset Assembly

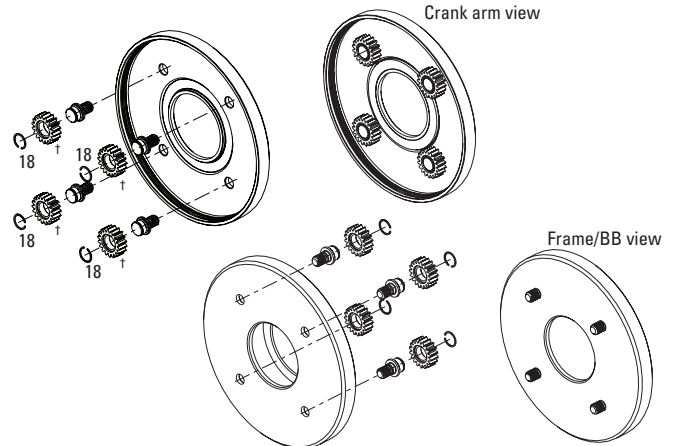


TRANSMISSION - HAMMERSCHMIDT - ALL MOUNTAIN & FREERIDE



Crankarm Gearset Bearing Assembly

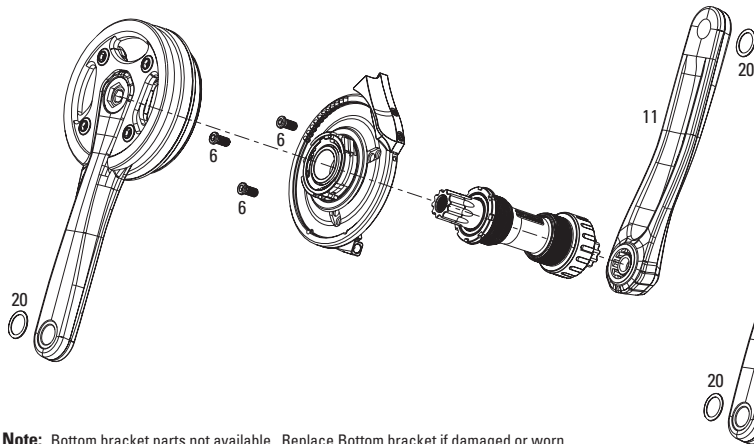
Note: Bearings do not need to be serviced or replaced. Do not remove bearings (††) from outer race ††.



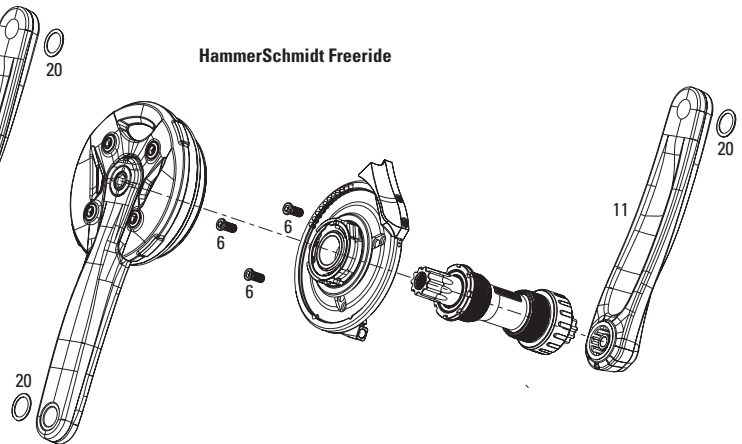
Crankarm Gearset Carrier Assembly

Note: If planet gears (†) are damaged, must replace complete carrier assembly (11-6115-508-000) or complete Overdrive assembly (11-6115-524-000). Individual planet gears are not available separately.

HammerSchmidt All Mountain



HammerSchmidt Freeride



Note: Bottom bracket parts not available. Replace Bottom bracket if damaged or worn.

No.	Part Number	Description
1	11.6115.511.000	HammerSchmidt Chainring Retainer & Guide
2	11.6115.508.000	HammerSchmidt Carrier Assembly 2-speed Crank AM
3	11.6115.510.000	HammerSchmidt Chain Ring / Guide 22T Kit
3	11.6115.510.010	HammerSchmidt Chain Ring / Guide 24T Kit
4	11.6115.522.000	HammerSchmidt Collar Plate Assembly without ISCG Disc
5	11.6115.512.000	HammerSchmidt Bashguard AM Carbon
5	11.6115.512.010	HammerSchmidt Bashguard FR PC
6	11.6115.521.000	HammerSchmidt Collar Bolts & ISCG Plate 03
6	11.6115.521.010	HammerSchmidt Collar Bolts & ISCG Plate 05
7	11.6115.515.000	HammerSchmidt Cable Stop Assembly
8	11.6115.524.000	HammerSchmidt Overdrive Assembly
9	11.6115.518.000	HammerSchmidt Overdrive Pawl & Spring Assembly
10	11.6115.514.000	HammerSchmidt Planet Nuts AM Tungsten Grey
10	11.6115.514.010	HammerSchmidt Planet Nuts FR Black
11	11.6115.513.000	HammerSchmidt Crank Arms AM 170 Tungsten Grey L&R
11	11.6115.513.010	HammerSchmidt Crank Arms AM 175 Tungsten Grey L&R
11	11.6115.513.020	HammerSchmidt Crank Arms FR 165 Galvanized L&R
11	11.6115.513.030	HammerSchmidt Crank Arms FR 170 Galvanized L&R
11	11.6115.513.040	HammerSchmidt Crank Arms FR 175 Galvanized L&R
12	11.6115.516.000	HammerSchmidt Chain Guide 22T
12	11.6115.516.010	HammerSchmidt Chain Guide 24T
13	11.6115.509.000	HammerSchmidt Damper Assembly
14	11.6115.520.000	HammerSchmidt Actuator Assembly
15	11.6115.519.000	HammerSchmidt Seal Assembly
16	11.6115.507.000	HammerSchmidt Sun Assembly 2-speed Crank
17	11.6115.517.000	HammerSchmidt Overdrive Pawl Spring only
18	11.6115.523.000	HammerSchmidt Gear Retaining Rings
19	11.6315.030.000	HammerSchmidt ISCG Spacer 3each (0.5/1.0/1.5/2.0/2.5/3.0mm)
20	11.6700.002.010	Pedal Washers Chromo, Qty 2

NOTE: For a list of HammerSchmidt tools, see page 19



Part Number	Description
LEFT CRANK ARMS	
11.6115.498.000	08 L Arm Elita GXP 165 Mirror Black
11.6115.498.010	08 L Arm Elita GXP 170 Mirror Black
11.6115.498.020	08 L Arm Elita GXP 172.5 Mirror Black
11.6115.498.030	08 L Arm Elita GXP 175 Mirror Black
11.6115.498.040	08 L Arm Elita GXP 177.5 Mirror Black
11.6115.498.050	08 L Arm Elita GXP 180 Mirror Black
11.6115.498.120	08 R Arm Front Tandem Elita GXP 170 Mirror Black
11.6115.433.000	Spider Rouleur Carbon 130 Blast Black
11.6115.432.000	Spider Rouleur Carbon C 110 Blast Black
11.6115.502.010	Left Arm Omnium GXP 165 Mirror Black
11.6115.502.000	Left Arm Omnium GXP 165 Super Aluminum
11.6115.502.110	Left Arm Omnium GXP 167.5 Mirror Black
11.6115.502.100	Left Arm Omnium GXP 167.5 Super Aluminum
11.6115.502.030	Left Arm Omnium GXP 170 Mirror Black
11.6115.502.020	Left Arm Omnium GXP 170 Super Aluminum
11.6115.502.050	Left Arm Omnium GXP 172.5 Mirror Black
11.6115.502.040	Left Arm Omnium GXP 172.5 Super Aluminum
11.6115.502.070	Left Arm Omnium GXP 175 Mirror Black
11.6115.502.060	Left Arm Omnium GXP 175 Super Aluminum
11.6115.502.090	Left Arm Omnium GXP 180 Mirror Black
11.6115.502.080	Left Arm Omnium GXP 180 Super Aluminum

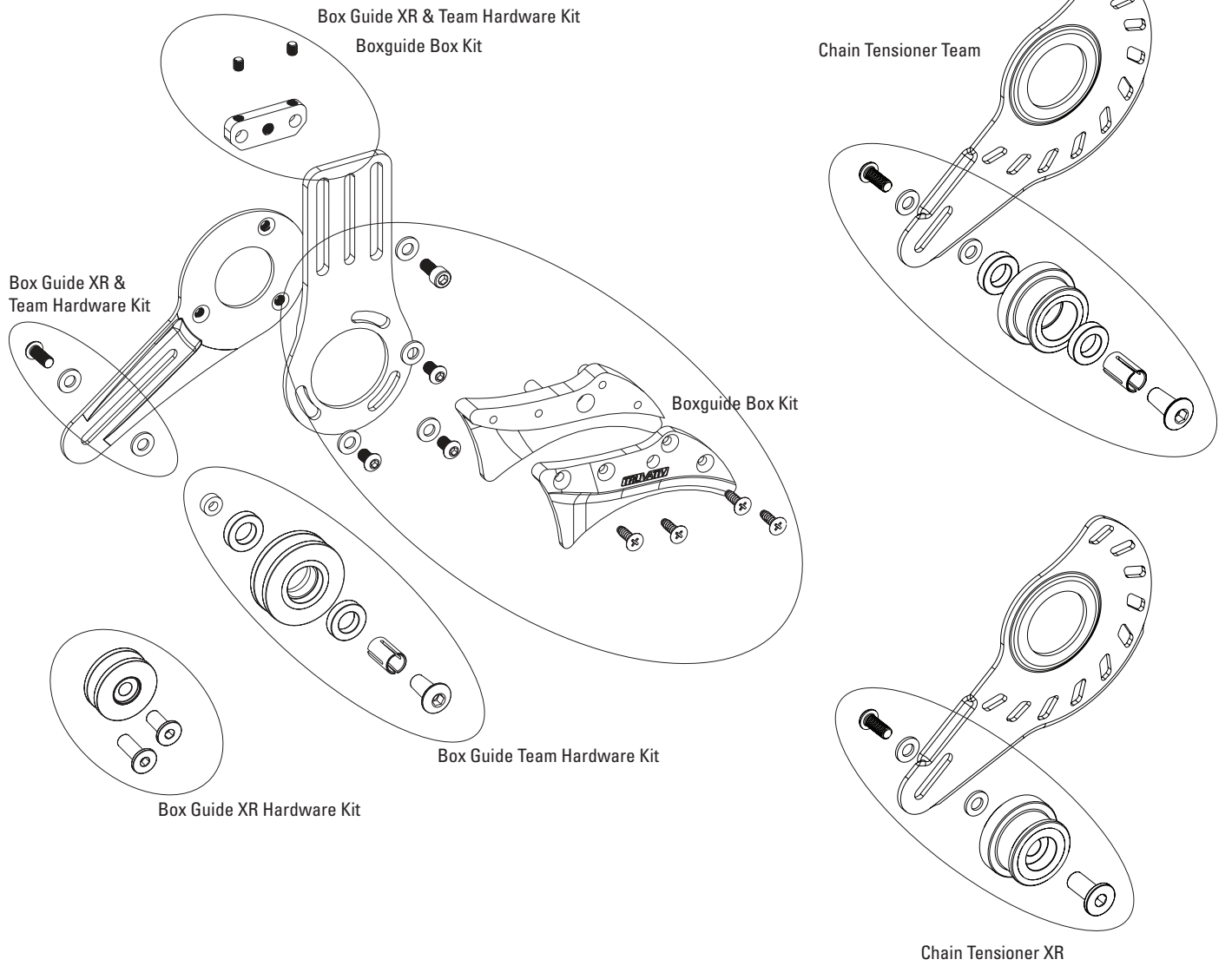


Part Number	Description
CHAINRINGS	
11.6215.125.000	Chain Ring Road 30T Triple V4 74 Steel Matte Black
11.6215.182.000	Chain Ring Road 34T Double V1 110 Steel Matte Black
11.6215.183.000	Chain Ring Road 36T Double V1 110 Steel Matte Black
11.6215.071.000	Chain Ring Road 39T V1 130 Steel Tech Silver
11.6215.153.000	Chain Ring Road 42T Triple V3 130 Steel Matte Black (52-42-30)
11.6215.036.000	Chain Ring Road 50T A V3 110 Steel Matte Black (50-36)
11.6215.110.000	Chain Ring Road 50T Triple V1 130 Alum 4mm Tungsten Grey (50-39-30)
11.6215.100.000	Chain Ring SS/Road 52T 130 Alum 3mm Blast Black
11.6215.104.000	Chain Ring Road 52T Triple V2 130 Steel Matte Black (52-42-30)
11.6215.145.000	Chain Ring SS/Road 53T 130 Alum 3mm Blast Black
11.6215.029.000	Chain Ring Road 53T V2 130 Steel Matte Black
11.6215.045.000	Chain Ring Road 34T V1 110 Alum 3mm Tungsten Grey (50-34)
11.6215.041.000	Chain Ring Road 36T V3 110 Alum 3mm Tungsten Grey (50-36, 52-36)
11.6215.102.000	Chain Ring Road 38T V1 130 Alum 3mm Tungsten Grey (46-38, 52-38)
11.6215.079.000	Chain Ring Road 39T V2 130 Alum 3mm Tungsten Grey (53-39, 48-39)
11.6215.191.000	Chain Ring Road 42T B V3 130 Alum 3mm Tungsten Grey (55-42, 54-42)
11.6215.101.000	Chain Ring Road 46T V1 130 Alum 4mm Tungsten Grey (46-38)
11.6215.103.000	Chain Ring Road 48T V1 130 Alum 4mm Tungsten Grey (48-39)
11.6215.037.000	Chain Ring Road 50T B V2 110 Alum 4mm Tungsten Grey (50-34)
11.6215.032.000	Chain Ring Road 50T A V4 110 Alum 4mm Tungsten Grey (50-36)
11.6215.069.000	Chain Ring Road 53T V4 130 Alum 4mm Tungsten Grey
11.6215.155.000	Chain Ring Road 42T Triple V3 130 Alum 3mm Tungsten Grey (52-42-30)
11.6215.172.000	Chain Ring SS/Road 44T 130 Alum 3mm Blast Black
11.6215.173.000	Chain Ring SS/Road 48T 130 AL3 Tungsten Grey
11.6215.158.000	Chain Ring Road 52T A Triple V1 130 Alum 4mm Tungsten Grey (52-42-30)
11.6215.184.000	Chain Ring Track Omnium 48T Alum 5mm Tungsten Grey
CHAINRING GUARDS	
11.6215.143.000	Chainring Guard Road/Cross 42T 130BCD 4mm AL Blast Black
11.6315.018.000	Chainring Guard Road/Cross 52T 130BCD 3mm AL Blast Black
CHAINRING BOLT KITS	
11.6915.009.000	Chain Ring Bolt Kit 5-arm Double Aluminum Black
11.6915.008.000	Chain Ring Bolt Kit 5-arm Double Aluminum Silver
11.6915.018.000	Chain Ring Bolt Kit 5-arm Triple Aluminum/Steel Silver
11.6915.012.000	Chain Ring Bolt Kit 5-arm Double Steel Black
11.6915.015.000	Chain Ring Bolt Kit 5-arm Single Steel w Spacer Black
11.6915.011.000	Chain Ring Bolt Kit 5-arm Triple Steel/Steel Black
CRANK ARM BOLTS	
11.6915.027.000	Crank Arm Bolt M15/M22 Alloy Self-Extracting GXP Qty 1
11.6900.002.140	Crank Arm Bolt M15/M26 Alloy Self-Extracting GXP Silver Qty 1
11.6900.002.160	Crank Arm Bolt M15/M26 Alloy Self-Extracting GXP Black Qty 1
11.6900.002.050	Crank Arm Bolts M15 Capless Qty 2 for ISIS & Hwtzr M15
11.6115.115.000	Crank Arm Bolts M8 Capless Qty 2 for Square-taper & PowerSpline
PEDAL WASHERS	
11.6700.002.010	Pedal Washers Chromo, Qty 2
AEROGUARD	
11.6215.195.000	Aero Guard Via 48T Clear Smoke

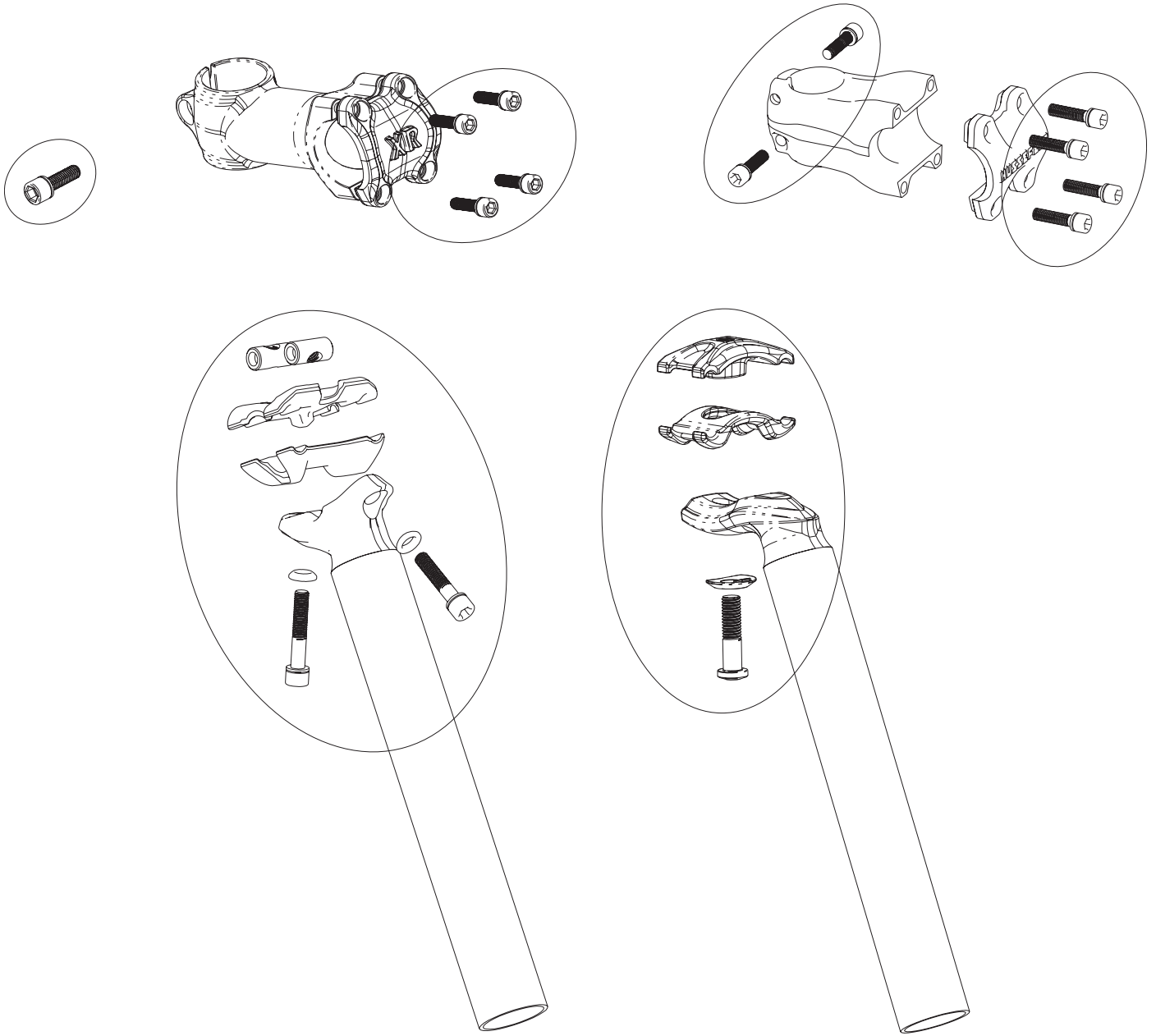


Part Number	Description
LEFT CRANK ARMS	
11.6115.482.100	L Arm Racing Team 175 ISIS Mirror Black
11.6115.482.110	L Arm Racing Team 180 ISIS Mirror Black
CHAINRINGS	
11.6200.010.050	Chain Ring BMX 36T 110 Alum 4mm Blast Black W/CNC
11.6215.126.000	Chain Ring BMX 39T 110 Alum 4mm Blast Black W/CNC
11.6200.014.010	Chain Ring BMX 41T 110 Alum 4mm Blast Black W/CNC
11.6200.016.010	Chain Ring BMX 44T 110 Alum 4mm Blast Black W/CNC
11.6215.168.000	Chain Ring BMX JR 36T 110 Alum 3mm Blast Black
11.6200.003.010	Chain Ring Luftalarm 25T Alum 6.35mm Blast Black W/CNC
11.6200.006.030	Chain Ring Luftalarm 30T Alum 6.35mm Blast Black W/CNC
11.6200.008.030	Chain Ring Luftalarm 33T Alum 6.35mm Blast Black W/CNC
11.6200.010.020	Chain Ring Luftalarm 36T Alum 6.35mm Blast Black W/CNC
11.6200.012.020	Chain Ring Luftalarm 39T Alum 6.35mm Blast Black W/CNC
11.6215.185.000	Chain Ring Luftalarm 39T V1 50BCD Alum 6mm Blast Black
CHAINRING BOLT KITS	
11.6215.049.000	Chain Ring Bolt Kit 5-pcs M8x1.25x10 Black Luftalarm
11.6915.012.000	Chain Ring Bolt Kit 5-arm Double Steel Black
CRANK ARM BOLTS	
11.6900.002.070	Crank Arm Bolts M15/M22 Alloy Self-Extracting, Qty 2
11.6900.002.050	Crank Arm Bolts M15 Capless Qty 2 for ISIS & Hwtzr M15
11.6115.115.000	Crank Arm Bolts M8 Capless Qty 2 for Square-taper & PowerSpline
PEDAL WASHERS	
11.6700.002.010	Pedal Washers Chromo, Qty 2
CHAINRING GUARDS	
11.6200.022.020	Chainring Guard Luftalarm 25T Blast Black
11.6200.022.010	Chainring Guard Luftalarm 30/33/36/39T Blast Black
CRANK ARM BOLTS	
11.6900.002.050	Crank Arm Bolts M15 Capless Qty 2 for ISIS & Hwtzr M15
11.6900.002.070	Crank Arm Bolts M15/M22 Alloy Self-Extracting, Qty 2

BOX GUIDE / CHAIN TENSIONER



STEM / POST / PEDAL / TOOLS



BOX GUIDE / CHAIN TENSIONER / STEM / POST / PEDAL / TOOLS

Part Number	Description
BOX GUIDE	
11.6300.009.010	Boxguide Box
11.6315.028.000	Box Guide Team Hardware Kit
11.6315.028.010	Box Guide XR Hardware Kit
CHAIN TENSIONER	
11.6915.001.000	Hardware Kit, Chain Tensioner Team
STEM	
11.6900.007.010	Stem Bolt Kit Hussefelt/Holzfelder
POST	
11.6815.001.000	Post Single Clamp Kit
11.6815.003.000	Post Double Clamp Kit
PEDAL	
11.6700.002.010	Pedal Washers Chromo, Qty 2
11.6700.003.010	Pedal Pins Holzfelder Qty 32
TOOLS	
11.6400.005.000	BB ISIS Drive Tool
11.6400.006.000	GXP/Howitzer Tool
11.6115.525.000	HammerSchmidt Gauge Tool Assembly
11.6115.526.000	HammerSchmidt Facing Tool Assembly
11.6115.527.000	HammerSchmidt Bearing Removal/Overdrive Disassembly Tool
11.6115.528.000	HammerSchmidt Grease 25ml

ROAD CHAINRING COMBINATIONS

Combination	Rings	Material	Marking	8-speed	9-speed	10-speed	SRAM Only
39-53	39	Steel	39-53	X	X		
	53	Steel	53-V2				
39-53 *	39	Steel	39-53		X		
	53	AL-7075-4mm	53-V4 (w/ date code)				
39-53	39	AL-7075-3mm	39-53-V2			X	
	53	AL-7075-4mm	53-V4 (w/ date code)				
39-53	39	AL-7075-3mm	39-53-V2			X	X
	53	AL-7075-4mm	53T-S1 use with 39T only, SRAM chain only (w/ date code)				
39-53	39	AL-7075-3mm	39-53-V2			X	X
	53-TT	AL-7075-4mm	53T-S1 use with 39T only, SRAM chain only (w/ date code)				
42-54	42	AL-7075-3mm	42T-V4-130			X	X
	54-TT	AL-7075-4mm	54T-S1 use w/ 42T only, SRAM chain only (w/ date code)				
42-55	42	AL-7075-3mm	42T-V4-130			X	X
	54-TT	AL-7075-4mm	55T-S1 use w/ 42T only, SRAM chain only (w/ date code)				
39-48	39	Steel	39-53		X		
	48	AL-7075-3mm	48-V1				
39-48	39	Steel	39-53		X	X	
	48	AL-7075-4mm	48-39				
34-48	34-110BCD	AL-7075-3mm	34-110 V1, 10 Speed only		X		
	48-110BCD	AL-7075-3mm	48T V1 use w/ 34T only (w/date code)				
34-48	34-110BCD	AL-7075-3mm	34-110 V1, 10 speed only			X	
	48-110BCD	AL-7075-4mm	48T V2 USE W/34T ONLY (w/date code)				
36-50	36-110BCD	Steel	36-V1-110	X			
	50-110BCD	Steel	50T-V3-110, 36T only				
36-50	36-110BCD	Steel	36-V1-110		X		
	50-110BCD	AL-7075-4mm	50T-A-V4 (for 36-50) (w/ date code)				
36-50	36-110BCD	AL-7075-3mm	36-110-V3, 10 speed only			X	
	50-110BCD	AL-7075-4mm	50T-A-V4 (for 36-50) (w/ date code)				
34-50	34-110BCD	Steel	34-110-V1		X		
	50-110BCD	AL-7075-4mm	50T-B-V2 (for 34-50) (w/ date code)				
34-50	34-110BCD	AL-7075-3mm	34-110-V1, 10 speed only			X	
	50-110BCD	AL-7075-4mm	50T-B-V2 (for 34-50) (w/ date code)				
34-50	34-110BCD	AL-7075-3mm	34-110-V1, 10 speed only			X	X
	50-110BCD	AL-7075-4mm	50-S1 use w/ 34T only, SRAM chain only (w/ date code)				
36-52	36-110BCD	AL-7075-3mm	36-110-V3, 10 speed only			X	X
	52-110BCD	AL-7075-4mm	52TC-S1 use w/ 36T/38T only, SRAM chain only (w/date code)				
38-52	38-110BCD	AL-7075-3mm	38T-V1-110, 10 speed only			X	X
	52-110BCD	AL-7075-4mm	52TC-S1 use w/ 36T/38T only, SRAM chain only (w/date code)				
38-46	38	AL-7075-3mm	TRUVATIV 38		X	X	
	46	AL-7075-4mm	46-38				
30-39-50	30	AL-7075-3mm	30-V4			X	
	39	AL-7075-3mm	39-V4 (w/ date code)				
	50	AL-7075-4mm	50T-130-V1 use w/ 39T only				
30-39-52	30	AL-7075-3mm	30-V4			X	
	39	AL-7075-3mm	39-V4 (w/ date code)				
30-42-52	30	AL-7075-4mm	52B-V2 use w/ 39T only (w/ date code)				
	30	Steel	30-V4	X	X		
	42	Steel	42-52 V3				
52	Steel	52-V2					
30-42-52	30	Steel	30-V4		X		
	42	Steel	42-52 V3				
	52	AL7075-3mm	52-V2				
30-42-52	30	AL7075-3mm	30-V4		X		
	42	AL7075-3mm	42-52 V3				
	52	AL-7075-4mm	52-V2				

NOTES

COPYRIGHT

This publication includes trademarks and registered trademarks of SRAM LLC designated by the symbols ™ and ®, respectively.

Copyright © 2011 SRAM LLC

www.sram.com

world headquarters
SRAM LLC

1333 n. kingsbury st., 4th fl
chicago, il 60642
phone +1-312-664-8800
fax +1-312-664-8826

european headquarters
SRAM europe

paasbosweg 14-16
3862ZS nijkerk
the netherlands
phone +31-33-450-6060
fax +31-33-457-0200

asian headquarters
SRAM taiwan

no. 1598-8 chung shan rd
shen kang hsiang, taichung
county road 49 taiwan r.o.c.
phone +886-4-2564-3678
fax +886-4-2561-3686